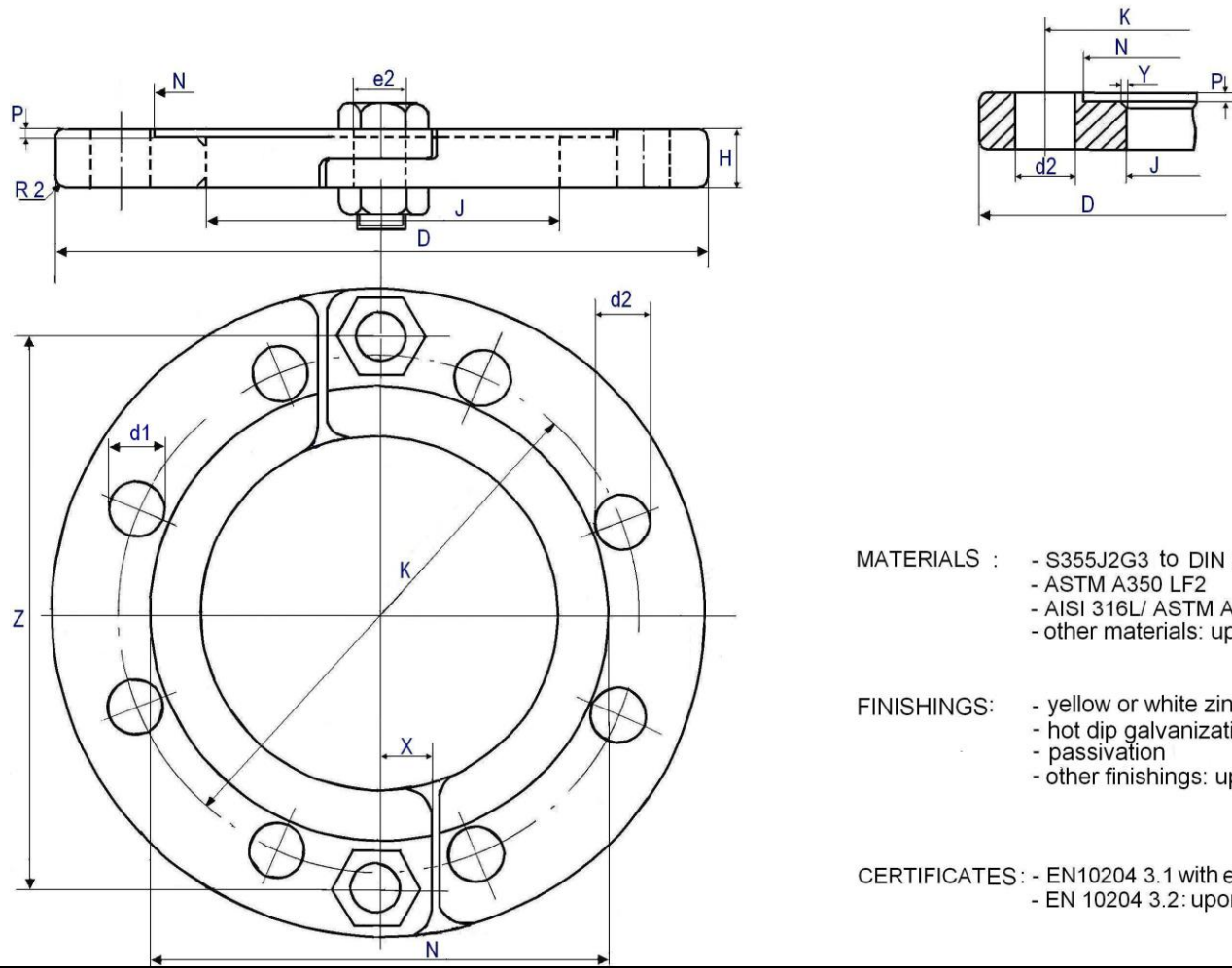


# Split Flanges to DIN 28150



MATERIALS : - S355J2G3 to DIN EN 10025  
 - ASTM A350 LF2  
 - AISI 316L/ ASTM A182 F316L  
 - other materials: upon request

FINISHINGS: - yellow or white zinc plating  
 - hot dip galvanization  
 - passivation  
 - other finishings: upon request

CERTIFICATES: - EN10204 3.1 with each supply  
 - EN 10204 3.2: upon request

## DIMENSIONS to. DIN 2502 Size modifications : upon request

DN	D	K	H	J	N	P	X	Y	Z	d1 threaded holes	No. d2	No.e2	PN
25	115	85	14	48	70	2	12	2 x 45°	92	M12	4 x 14	2 x 10	16
32	140	100	14	60	80	2	15	2 x 45°	110	M16	4 x 14	2 x 12	16
40	150	110	14	66	90	2	15	2 x 45°	120	M16	4 x 18	2 x 12	16
50	165	125	16	78	104	2	15	2 x 45°	135	M16	4 x 18	2 x 12	16
65	185	145	18	92	124	2	15	2 x 45°	155	M16	4 x 18	2 x 12	16
80	200	160	18	108	140	2	15	3 x 45°	170	M16	4 x 18	2 x 12	16
100	220	180	18	135	160	2	15	3 x 45°	190	M16	8 x 18	2 x 12	16
125	250	210	20	155	190	3	15	3 x 45°	220	M16	8 x 18	2 x 12	16
150	285	240	20	188	214	3	18	3 x 45°	250	M20	8 x 18	2 x 14	16
200	340	295	24	235	270	3	18	3 x 45°	305	M20	8 x 22	2 x 14	10
250	395	350	26	295	324	3	18	3 x 45°	360	M20	8 x 22	2 x 14	10
300	445	400	30	345	374	3	18	3 x 45°	410	M20	12 x 22	2 x 14	10
SPECIAL SIZES													
15	95	65	12	34	48	2	8	2 x 45°	79	M12	4 x 14	2 x 9	16
20	105	75	14	40	60	2	12	2 x 45°	75	M12	4 x 14	2 x 6,5	16

Sizes in millimetres

Sheet. No.

IF 13

Rev:

C

Date:

June 2023

interfor<sup>if</sup>gia

**IT IS FORBIDDEN**  
 to copy, to modify or to  
 disclose this document